



CHOOSE QUALITY....

WHIRLPOOL BRAND COMMERCIAL LAUNDRY PRODUCTS

***FEATURING
MECHANICAL
CONTROLS***

MONEY ACCEPTORS SOLD SEPARATELY



Reliability, Flexibility, Durability and Simplicity... From the Industry Leader in Laundry

WHIRLPOOL® HOME APPLIANCES. WORLD'S BEST SELLING HOME LAUNDRY*

It's the 21st century and "good enough" just isn't enough anymore. Your customers expect more from their laundry facility. They want easy to use, large capacity machines that provide many options for quality fabric care.

The entire commercial line-up of Whirlpool® washers and dryers follows with exceptional capacity, cleaning and drying performance. Each model has combined fabric care options and conveniences that enhance **your power to satisfy each customer's needs.**

Seven Key Factors to Consider During Your Equipment Selection:

1. Energy Consumption
2. Ease of Use
3. Performance
4. Durability
5. Flexibility
6. Security
7. Warranty

Coin Store

Customers feel secure knowing that they are using equipment backed by the world's largest manufacturer of laundry products. Our experienced Whirlpool distributors will guide you through every step of creating a new coin store or retrofitting your existing location.

Multi-Housing

Whether you choose the convenience of a route operation agreement, or to own and maintain your own equipment, you can trust that Whirlpool® Commercial Laundry has the products to suit the needs of you and your tenants.

Whirlpool Corporation offers some of the most recognized and trusted brands in the world. Brands that your residents trust for quality, reliability and efficiency. As a Property Manager, you need to make the right selection of products for your laundry areas. Choose Whirlpool® Brand Commercial Laundry from the **WORLD'S LEADING BRAND** of major home appliances!

University

In the realm of university life, security, reliability and durability are of utmost importance. Let us "educate" you on the advantages of using Whirlpool® Commercial Laundry products featuring mechanical controls. The E-Z connect auxiliary harness makes connection to popular university payment systems fast and simple.

SECURITY FEATURES OFFERED ON ALL WHIRLPOOL® COMMERCIAL LAUNDRY PRODUCTS

- Washer tops and lids are coated with porcelain to resist chipping and rusting and will withstand the harsh chemicals used in a laundry environment.
- Washer and dryer cabinets are designed to be some of the most durable in the industry. Heavy gauge galvanized cabinet with porcelain top and lid is difficult to dent and resists rust.
- Torx® console screws are made of rustproof stainless steel and may not be removed with the average screwdriver.
- Stack dryers have a dual cotter pin device that prohibits the separation of dryers by unsuspecting thieves.
- The optional front lock offers you extra security by tying the front and top of the machine together. The appearance of the lock alone may be enough to deter the common vandal.
- The hidden lid switch on our washers ensures safe operation and tamper prevention.

Whirlpool® Fabric Care technology provides a tried and true solution for consumers that prefer a top load washer. Whirlpool Corporation has designed a top load washer that is easy to use and delivers exceptional and dependable cleaning performance. Choose Whirlpool® Commercial Laundry for your coin store, multi-housing and university projects.

Reliability, Flexibility, Durability and Simplicity.

Whirlpool Corporation has a Dedicated Sales and Service Staff Committed to the Success of Your Commercial Laundry Business. Please Contact us at 1-800-NO-BELTS (1-800-662-3587).

MAXIMIZE REVENUE

Whirlpool® Commercial Laundry Products featuring mechanical controls are designed for **simplicity**, **durability** and **flexibility** to meet a variety of needs. A simple mechanical timer and **Direct-Drive, NO-BELT Washing System** offers years of reliable operation at a very competitive price. Every Whirlpool® Washer features the 2 speed advantage, offering a true low speed gentle wash option. A high speed spin of 640 rpm ensures optimal water extraction.

A heavy gauge, galvanized cabinet with porcelain top and lid is difficult to dent and resists rust.

A wiring harness auxiliary connection is included with every CAM2762 model. This allows for an easy connection to card readers, coin drops and central control systems with no need to cut into the wiring harness.

WHIRLPOOL® DIRECT-DRIVE, NO-BELT WASHING SYSTEM



During the service lifetime of a typical Speed Queen®, or GE® commercial Belt-Driven top load washer, it is possible that many belts will need to be replaced. Belt driven washing machines rely on belt slippage to slowly build up spin speed.

Machines get overloaded — belts wear — belts break — and your machine is out of commission. WHY SETTLE FOR 50 YEAR OLD BELT-DRIVEN TECHNOLOGY?

Whirlpool® Direct-Drive, NO BELT, enclosed clutch washers eliminate the need for belts. Whirlpool® brand Direct-Drive washer motor coupler isolators feature a heavy duty automotive design. They have been tested to 20,000 cycles without failure!*

No-belts equate to less hassle, fewer repairs and an uninterrupted income stream for you.



WHIRLPOOL

VS



THE COMPETITION

One Durable Whirlpool® Motor Coupler Isolator Can Be Equivalent to Many Competitive Product Belts!

Maximize the Efficiency and Profitability of Your Laundry Area with Whirlpool® Brand Commercial Laundry Products Featuring Mechanical Controls

* Whirlpool Lab Testing, 2001. GE is a registered trademark of General Electric Corporation. SPEED QUEEN is a registered trademark of Alliance Laundry Systems, LLC.

For warranty details, see information packed with your product. Call 1-800-NO-BELTS or visit www.whirlpoolcommerciallaundry.com/warranty.asp.

FLEXIBILITY

CHOOSE A PAYMENT SYSTEM

*Money Acceptors Sold Separately

COIN



Coin Slide
in Metercase

OR



Coin Drop
in Metercase

DUAL PAYMENT

Accepts both coins and card
(One reader per machine)



Coin Slide
and Card Reader

OR



Coin Drop
and Card Reader

DUAL PAYMENT

Accepts both coins and remote
mounted card systems
(One reader for many machines)



Coin Slide
in Metercase
with Remote Card Reader

OR



Coin Drop
in Metercase
with Remote Card Reader

CARD

No coins accepted



Card Reader
in Metercase



PUSH TO START
OPL Coinless Actuator Kit

*For Detailed Money Acceptor Ordering Information, Please See Page 10.

WHIRLPOOL BRAND COMMERCIAL WASHERS



DIRECT DRIVE SYSTEM
27" heavy-duty commercial washers feature the Direct-Drive, No-Belt washing system for greater reliability, reduced down time and increased profits.

LARGE CAPACITY WASH BASKET
Ideal for handling family size loads!

PORCELAIN FINISH
Porcelain top and lid finish resists rust, chipping and scratching.



FRONT LOCK READY
Factory installed lock blank provides a visual vandalism deterrent.

To further discourage theft, order optional front panel lock assembly (part #358290) for the added security of tying the front and top panels together.



HIGH AND LOW WATER LEVEL
Reduce water consumption to 23.22 gallons per cycle!*

*Based on low water level, 3 lb. load



TRIPOD SUSPENSION
Sturdy tripod-suspension with active liquid filled balance ring reduces product weight while balancing commercial size laundry loads.



RUST PROOF SCREWS
Rust proof Stainless Steel Torx® control panel screws give your machines added security and service life!



SEALED HIDDEN LID SWITCH

To help ensure safe operation, Whirlpool® commercial washers feature a lid switch that is truly hidden. Not only does this prevent tampering, it ensures that the washer will not operate when the lid is open.



INDUSTRIAL STRENGTH WATER INLET HOSES
Tested to 1100 PSI!

HIGH EFFICIENCY COMMERCIAL WASHER

Featuring Mechanical Controls



DEEP
RINSE!

2007
Federal Energy
Compliant

MEF 1.38
WF 9.0
RMC 51.5%

CAM2762TQ—27" 2-Speed Washer with Metercase

Machine Accepts the Following Payment Systems (not included):

- Coin Slide
- Retrofit Coin Drop
- Retrofit Card Reader
- OPL Push-To-Start Kit (No Coins Needed)
- 3.2 Cu. Ft. Wash Basket, 18 Lbs. UL
- Push Button Controls
- High Efficiency, Low Water Factor
- 3 Cycles: Heavy (Hot/Cold), Permanent Press (Warm/Cold) and Colorfast (Cold/Cold) to Provide the Right Washing Conditions for a Wide Range of Fabrics
- Two-Speed Advantage with True Gentle Wash, High Speed Spin Only!
- Deep Rinse System, Automatic Temperature Control 115° H 85° W
- Porcelain Top and Lid, Rust Proof Stainless Steel Hinges and Console Screws
- Hidden Lid Switch
- High Speed Spin 640 RPM (Approx.)
- Galvanized, Heavy Gauge Cabinet Back, Side and Front Panels, Removable Front Service Panel
- Heavy Duty Motor Coupler Isolator Tested to 20,000 Cycles!*
- ½ HP Motor with Built-In Overload Protector: 120-Volt, 60 Hz., A.C. Agitation Speed 180 SPM/High 120 SPM/Low
- Reliable, Direct-Drive NO-BELTS Drive System, Front and Bottom Serviceable
- Extra Long Power Cord and Commercial-Grade, Color-Coded Water Inlet Hoses with Brass Couplings and EDPM Rubber Drain Hose
- 3 Cycle Indicator Lamps
- 23.22 Gallons Minimum Water Usage per Cycle (Low Water Level, 3 Lbs. Load)
- **3 Year Limited Parts Only Warranty****
- **Money Acceptors Sold Separately**

* Testing complete 11/12/2001

** Call 1-800-NO-BELTS for warranty details

COMMERCIAL WASHER SPECIFICATIONS

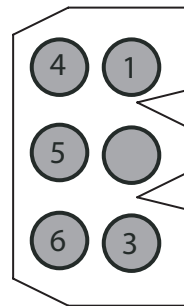
WASHER SPECIFICATIONS

MODEL NUMBER	CAM2762TQ
GENERAL INFORMATION Accepts the following payment systems: Coin Slide, Retrofit Coin Drop, Retrofit Card Reader, and OPL Push-to-Start Stainless steel look push button console, hidden lid switch, porcelain finish top and lid, galvanized, extra thick front panel, side and back panels, improved meter case, front panel lock blank factory installed. Commercial-Grade, color-coded water inlet hoses with brass couplings and rubber drain hose included	High Efficiency Deep Rinse, Electronic Temperature Control, Super Capacity 3.2 Cu. Ft. Basket, High and Low Water Level Settings, 2007 Federal Energy Compliant
MOTOR 120-Volt 1/2-HP Direct-Drive with Built-In Overload Protector	Two-Speed Advantage with True Gentle Wash High Speed Spin Only!
AGITATION STROKES PER MINUTE/AMPERAGE	180 SPM/High (5.0 Amps No Load) 120 SPM/Low (5.0 Amps No Load)
MAXIMUM RATED CURRENT	9.8 Amps (120-Volt)
MOTOR RPM	1725 High, 1140 Low
SPIN RPM	640 High
ELECTRICAL REQUIREMENTS Subject to Local Codes	120-Volt, 60 Hz., A.C. Standard 15 Amps Breaker/Fuse Branch Circuit for Each Washer
DIMENSIONS See Illustration Below	43" H (at Metercase Top), 35" H (at Lid), 27" W, 25.5" D
SHIPPING WEIGHT (EST.)	184 Lbs.
BASKET VOLUME	3.2 Cu. Ft. (18 Lbs. UL)

Dimensions are for planning purposes only. For complete information, see installation instructions packed with product.

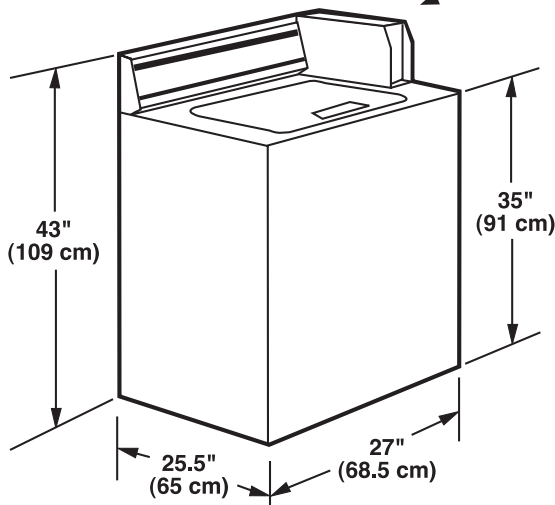
**NEW YORK CITY
M.E.A.**

PIN	FUNCTION
5 to neutral	Remote cycle start with remote relay closure
1 to 4	Changes state every 30 seconds
3 to 6	Cycle Counter

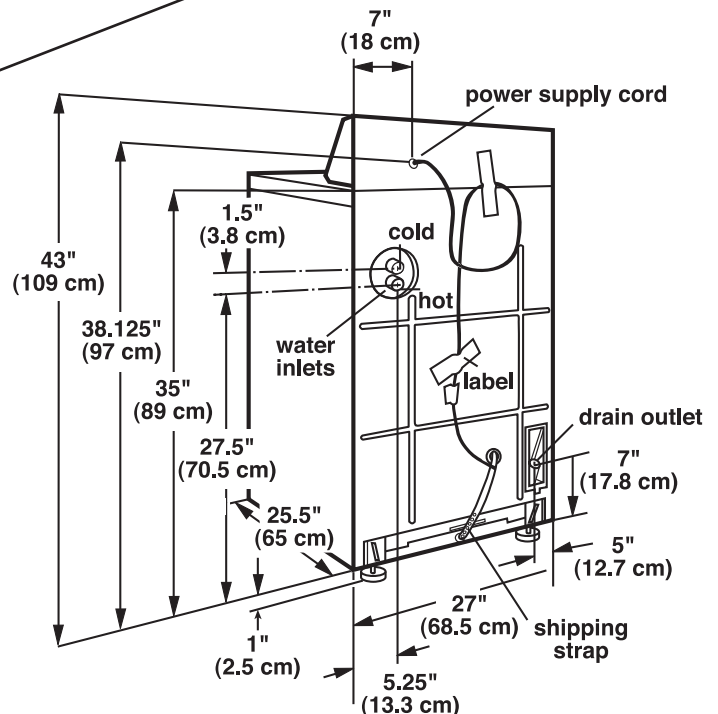


E-Z Wiring Harness Feature Connector for connection to money acceptors (located under top cover)

Energy information is available online at www.whirlpoolcommerciallaundry.com/products.



WASHER FRONT VIEW



WASHER BACK VIEW

WHIRLPOOL BRAND COMMERCIAL DRYERS



FRONT LOCK READY
Factory installed lock blank provides a visual vandalism deterrent.

To further discourage theft, order optional front panel lock assembly (part #358290) for the added security of tying the front and top panels together.

1/3 HP MOTOR

1/3 HP motor with overload protection.

THERMOSTAT

Single operating thermostat for simple accurate temperature control.



IMPROVED AIRFLOW SYSTEM

Whirlpool® commercial dryers have a new Blower

Housing Wave Insert to increase air velocity up to 10%. This increases efficiency, heating element lifespan, and improves fabric care.*

*Results per Whirlpool dryer testing conducted 7/03-8/04

LARGE CAPACITY METERCASE

Larger coinbox for reduced collections. Accepts coin slides, coin drops and card readers.



LARGE 7.4 CU. FT. DRUM CAPACITY

The increased capacity allows for large loads of clothes to tumble and spread, saving you and your customers drying time and expense.

LARGE LINT FILTER

Pull-out, 84 square inch lint filter.



4-WAY VENTING

4-Way venting from left or right side, back or bottom.



SIDE SWING DOOR

For convenient access, the wide-opening side-swing door can be opened a full 180°.

RUST PROOF SCREWS

Rust Proof Stainless Steel Torx® control panel screws give your machines added security and service life.



COMMERCIAL DRYERS

Featuring Mechanical Controls



CEM2760TQ — 27" Electric Dryer CGM2761TQ — 27" Gas Dryer with Metercase

Machine Accepts the Following Payment Systems (not included):

- Coin Slide
- Retrofit Coin Drop
- Retrofit Card Reader
- OPL Push-to-Start Kit (No Coins Needed)

- Large 7.4 Cu. Ft. Drum Capacity
- Push Button Controls
- 3 Cycles: Regular/Heavy (High Heat), Permanent Press (Medium Heat) and Knits/Delicates (Low Heat)
- Large, Removable, Door-Mounted Lint Screen (84 Sq. In.)
- 180° Wide-Opening Side-Swing Door
- Porcelain Top, Powdered Paint Cabinet
- Front-Service Accessibility
- Four-Way, Multi-Vent Options (Back, Bottom and Sides)
- Element Rated at 5600 Watts 240-Volt
- Gas Model Features a 22K BTU Burner
- Motor: 1/3-HP with Built-In Overload Protector; Centrifugal Switch Turns Off Heating Element When Motor Stops
- Easy-to-Follow Console Instructions
- **3 Year Limited Parts Only Warranty****
- **Money Acceptors Sold Separately. See Page 10 for Easy Ordering Details**

**Call 1-800-NO-BELTS for warranty details.

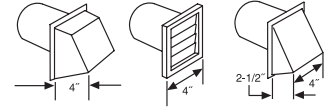
COMMERCIAL DRYER SPECIFICATIONS

SINGLE DRYER SPECIFICATIONS

MODEL NUMBER	CEM2760TQ [▲]	CGM2761TQ [●]
GENERAL INFORMATION Stainless Steel Look Push Button console, white enamel drum, porcelain finish top, powdered paint cabinet, front panel lock blank factory installed, removable indoor lint filter, improved meter case, 4-Way Venting	Metercase Model Accepts the Following Payment Systems: Coin Slide Retrofit Coin Drop Retrofit Card Reader OPL Push-to-Start	Metercase Model Accepts the Following Payment Systems: Coin Slide Retrofit Coin Drop Retrofit Card Reader OPL Push-to-Start
ELECTRICAL REQUIREMENTS	3-Wire Nominal 240/208-Volt, 60 Hz., A.C. Standard 30 Amps Breaker/ Fuse Branch Circuit per Dryer (Subject to Local Codes)	Nominal, 120-Volt, 60 Hz., A.C., Standard 15 Amps Breaker/Fuse Branch Circuit per Dryer (Subject to Local Codes)
MOTOR	1/3-HP Single Speed Motor with Built-In Overload Protector 5.9 Amps Max Rating	1/3 HP Single Speed Motor with Built-In Overload Protector 5.9 Amps Max Rating
HEATER TYPE	ELECTRIC	GAS**
HEATER/BURNER RATING (Add 500 watts approx for motor on all dryer models)	Heater Rated at 5600 watts	22,000 BTU Natural Gas
OPERATIONAL AMPERAGE (Does not include control or gas valve)	Motor — 4.0 Amps No load Heater — 23.33 Amps @ 240-Volt 27.33 Total	Motor — 4.0 Amps No load
DIMENSIONS	43" H*, 27" W, 28.5" D	43" H*, 27" W, 28.5" D
SHIPPING WEIGHT (EST.)	134 Lbs.	135 Lbs.
DRUM VOLUME	7.4 Cu. Ft.	7.4 Cu. Ft.

EXHAUST INFORMATION

All dryers require the equivalent of a 4-inch diameter exhaust duct. Rigid metal duct is recommended. Failure to properly exhaust the dryer will result in improper operation.



27" & 29" Dryer Venting Requirements

# of 90° Turns	4" Hood	2 1/2" Hood
Maximum Length of 4" Diameter Rigid Metal Duct		
0	64 Ft.	58 Ft.
1	54 Ft.	48 Ft.
2	44 Ft.	38 Ft.
3	35 Ft.	29 Ft.
4	27 Ft.	21 Ft.

# of 90° Turns	4" Hood	2 1/2" Hood
Maximum Length of 4" Diameter Flexible Metal Duct		
0	36 Ft.	28 Ft.
1	31 Ft.	23 Ft.
2	27 Ft.	19 Ft.
3	25 Ft.	17 Ft.
4	23 Ft.	15 Ft.

Dimensions are for planning purposes only. For complete information, see installation instructions packed with product.

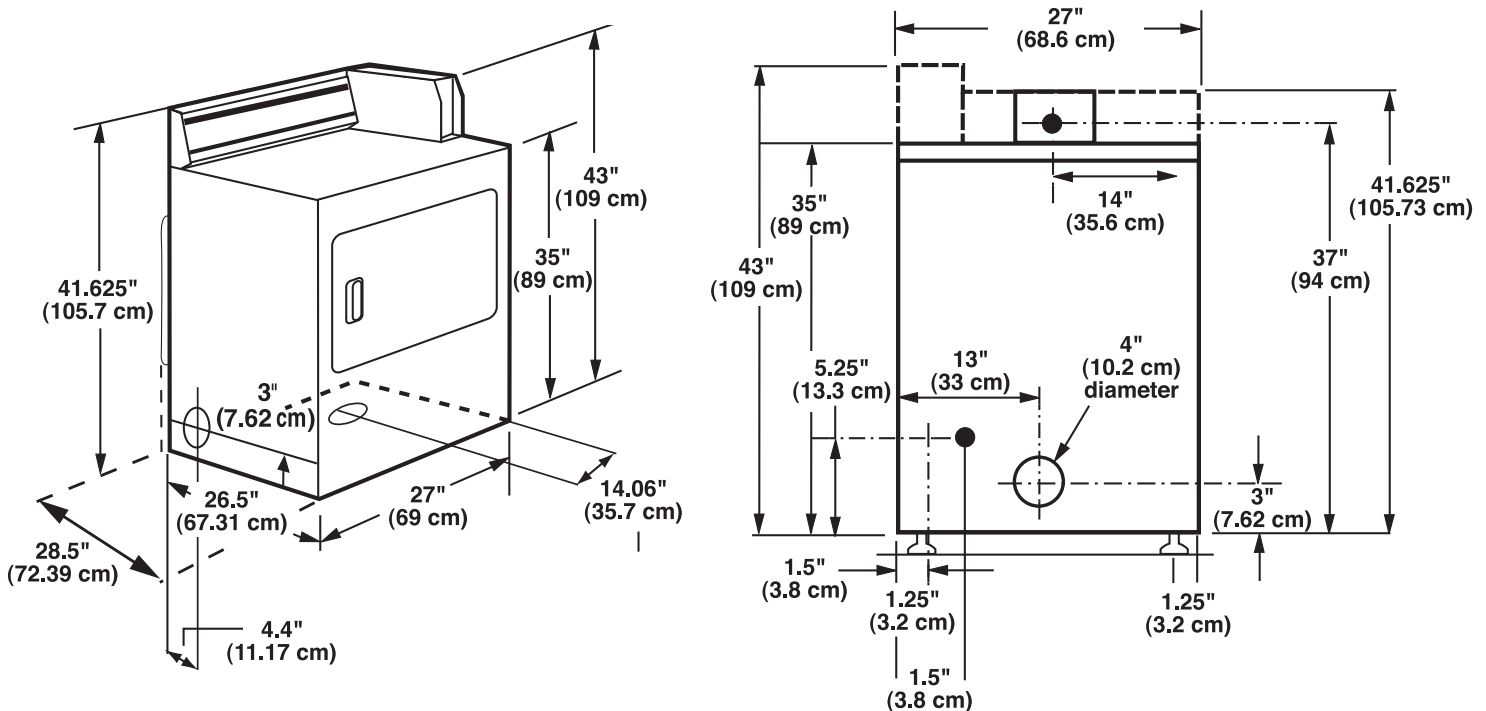
* (height at meter case top) *** (height at dryer top panel)

** Burner orifices are available for manufactured, natural, mixed and LP gas with varying BTU ratings

• LP Conversion Kit: 49572

▲ Power cords on electric models sold separately

Energy information is available online at www.whirlpoolcommerciallaundry.com/products.



MONEY ACCEPTOR MANUFACTURER CONTACT INFORMATION

MANUFACTURER	ESD	GREENWALD	SET-O-MATIC	MONARCH COIN AND SECURITY, INC.	IMONEX SERVICES, INC
ADDRESS	270 New Jersey Drive Fort Washington PA 19034	212 Middlesex Ave. Chester, CT 06412-1254	291 Adams Blvd. Farmingdale, NY 11735	P.O. Box 427 Covington, KY 41012	7274 Imonex Lane Sealy, TX 77474
PHONE	1-800-523-1510	1-800-221-0982	(516) 752-8008	1-800-462-9460	1-800-446-2719
EMAIL	info@esdcoin.com	sales@greenwald industries.com	http://www.setomatic .com/form.html	Sales@monarchcoin.com dhall@monarchcoin.com	http://www.imonex.com sales@imonex.com

Additional components supplied by other manufacturers are necessary depending on your business need.

WARRANTIES

Whirlpool® warranties are among the strongest warranties in the industry

WASHER WARRANTIES

3-YEAR LIMITED (Parts Only)

DRYER WARRANTIES

3-YEAR LIMITED (Parts Only)

For important information regarding warranty inclusions, exclusions and limitations, please call 1-800-NO-BELTS.



From Whirlpool Corporation — A World Leader in Laundry Products

<http://www.whirlpoolcommerciallaundry.com>

TORX is a registered Trademark of Textron Industries, Inc.

®Registered trademark/™Trademark of Whirlpool, U.S.A.

©2008 Whirlpool Corporation. All rights reserved.

Whirlpool Corporation • Benton Harbor, Michigan 49022 U.S.A.